

OUTLINE DRAWING
NOT FOR MANUFACTURE

PROPRIETARY AND CONFIDENTIAL

THE INFORMATION CONTAINED IN THIS DRAWING IS THE SOLE PROPERTY OF COVESION LTD. ANY REPRODUCTION IN PART OR AS A WHOLE WITHOUT THE WRITTEN PERMISSION OF COVESION LTD. IS PROHIBITED.

UNLESS OTHERWISE SPECIFIED:

DIMENSIONS ARE IN MILLIMETRES WHERE NOT STATED, DIMENSIONS ARE TAKEN TO BE SYMMETRICAL

TOLERANCES:
N/A

MATERIAL N/A

FINISH N/A

DO NOT SCALE DRAWING

TITLE: M4 Post mounting adapter for PV10 oven



SIZE DWG. NO.

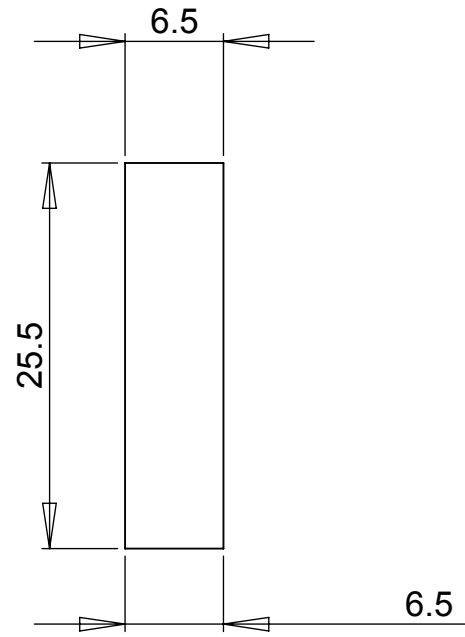
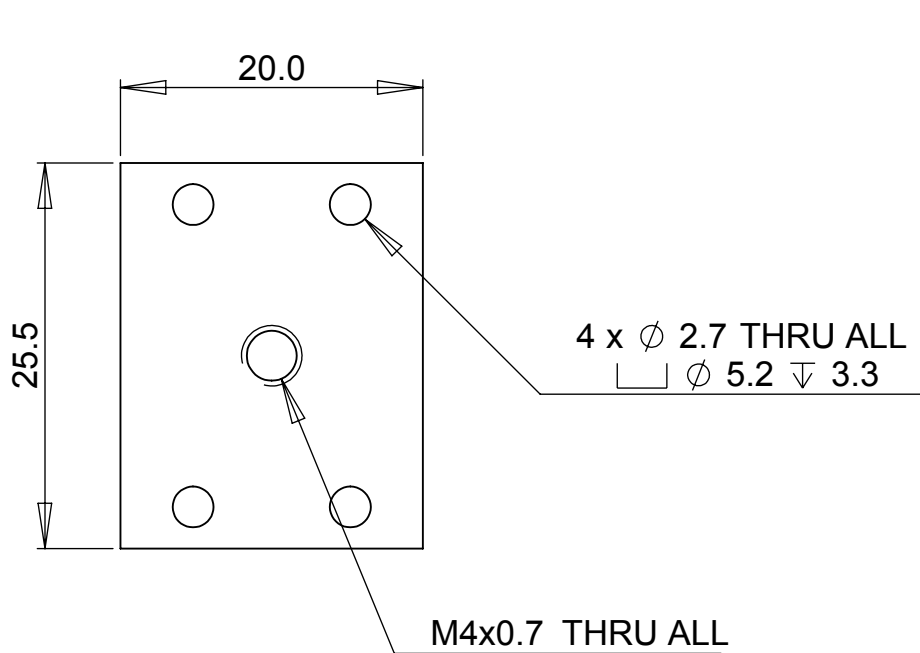
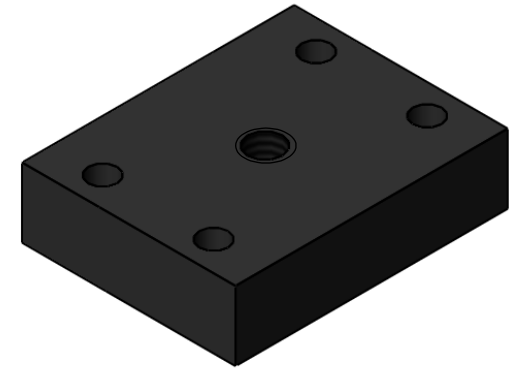
A PVP1

REV

SCALE: 2:1


WEIGHT:

SHEET 1 OF 1



OUTLINE DRAWING
NOT FOR MANUFACTURE

PROPRIETARY AND CONFIDENTIAL
THE INFORMATION CONTAINED IN THIS DRAWING IS THE SOLE PROPERTY OF COVESION LTD. ANY REPRODUCTION IN PART OR AS A WHOLE WITHOUT THE WRITTEN PERMISSION OF COVESION LTD. IS PROHIBITED.

UNLESS OTHERWISE SPECIFIED:		TITLE: M4 Post mounting adapter	
DIMENSIONS ARE IN MILLIMETRES WHERE NOT STATED, DIMENSIONS ARE TAKEN TO BE SYMMETRICAL			
TOLERANCES: N/A			
MATERIAL	N/A	SIZE DWG. NO.	REV
FINISH	N/A	A PVP2	
DO NOT SCALE DRAWING	SCALE: 2:1	WEIGHT:	SHEET 1 OF 1